

# UNIQUE

## XTRA TUFF VICES

### UNIQUE UNIVERSAL MACHINE VICE CODE NO. U313

# VICES

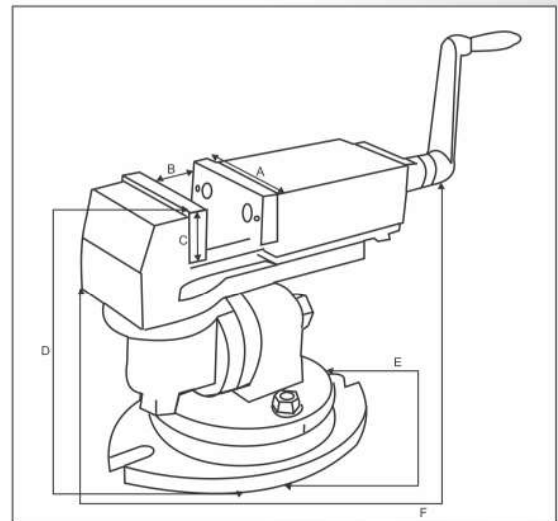


### FEATURES

- Accurately designed for use on surface, universal tool & cutter grinding machines.
- Unbreakable steel body.
- Accurately ground jaws made out of special steel for firm grip.
- All swivelling movements have positive locking and the job can be locked at any compound angle.

### SPECIFICATIONS

	SIZE IN INCHES	2	3	4	6
A	Width of jaws in mm	50	75	100	150
B	Opening of jaws in mm	50	75	65	115
C	Depth of jaws in mm	25	35	32	40
D	Height overall in mm	140	190	175	225
E	Width Overall	104	145	135	220
F	Length Overall	168	240	345	395
	Tenon Slot size in mm	12	12	16	16
	Weight (Approx) in kgs.	4.3	12	12	25



UNIQUE PROCESS MAKES THE **UNIQUE** VICES PRECISION AND STURDY