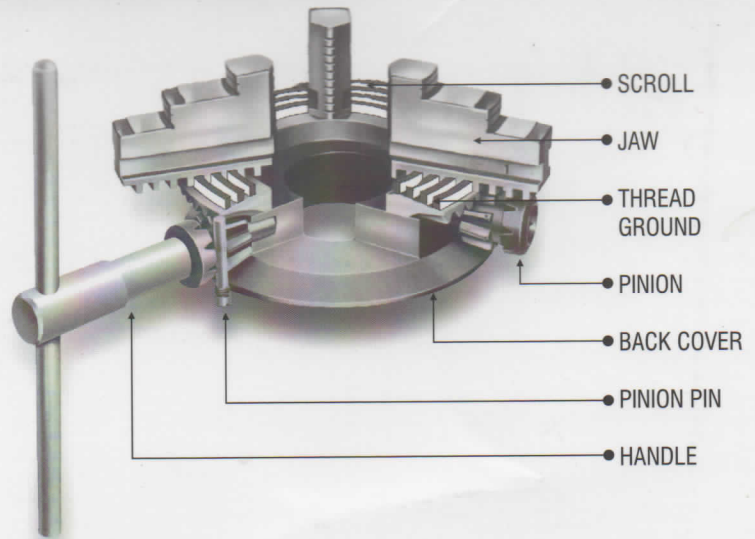
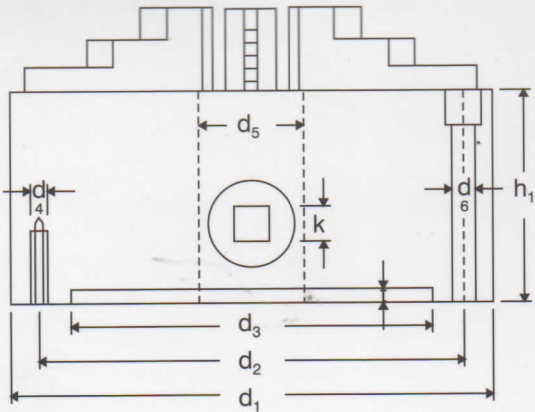




UNNAT

3-4 JAW SELF CENTERING CHUCKS



- Body** : High Tensile, wear resistant Cast iron, Front & Back mounting.
- Scroll** : Alloy Steel hardened Scroll. Thread Ground from Both Sides.
- Jaws** : Case hardened steel. Precisely ground for accuracy.
- Pinion** : Alloy steel hardened.
- Std. Acc.** : (1) A set of reverse jaws (2) Key handle (3) Back mounting Bolts.

Specifications

Size	d1	d2	d3	d4	d5	d6	h1	k	t	Approx Gross Wt. in Kgs
80mm	82	71	62	M-6	19	M-5	43	6	3	2
100mm	102	87	76	M-8	23	M-6	48	8	3	3
125mm	125	108	95	M-8	32	M-6	55	9	4	5
160mm	160	140	125	M-10	42	M-10	65	10	4	9
200mm	200	176	160	M-10	55	M-10	73	11	4	16
250mm	250	224	200	M-12	76	M-12	78	12	5	30
315mm	315	286	260	M-16	103	M-12	90	14	5	50

Manufactured by:
JAINSON MECHANICAL WORKS

Authorised Distributor: