

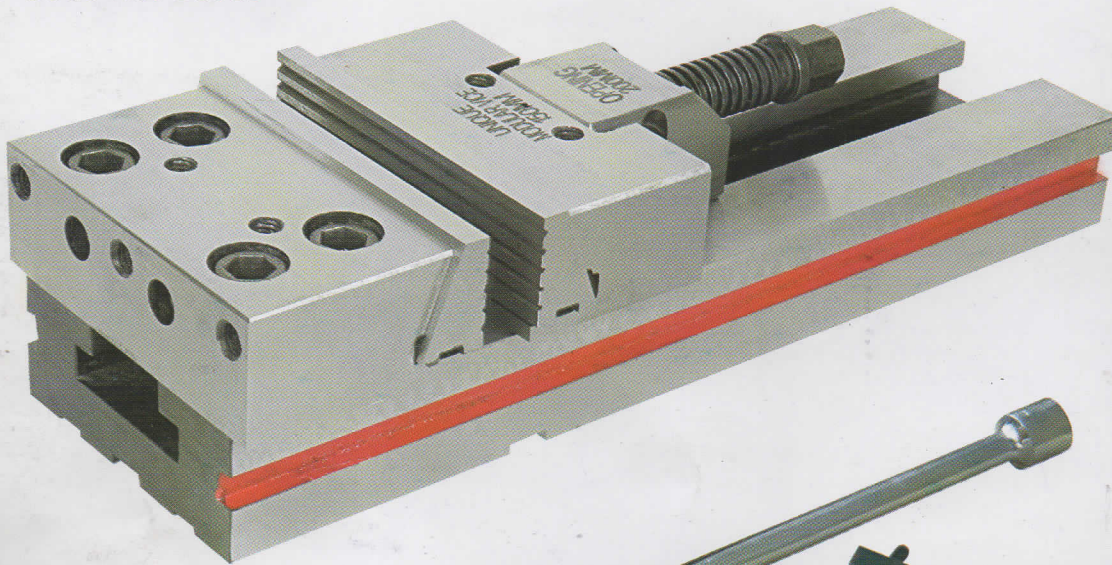
UNIQUE

XTRA TUFF VICES

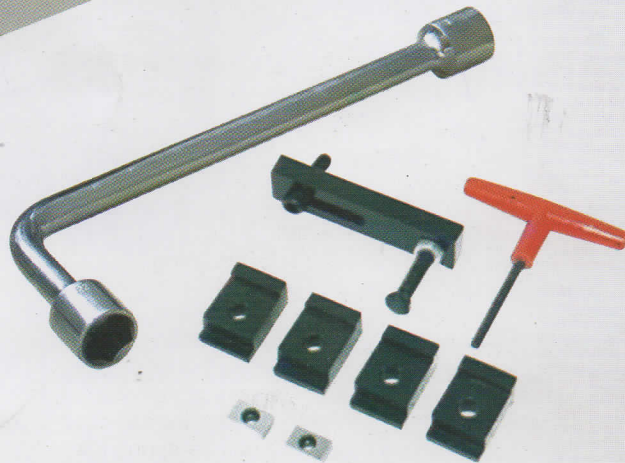
VICES

UNIQUE MODULAR PRECISION MACHINE VICE

Code No. U3333



● U 3333

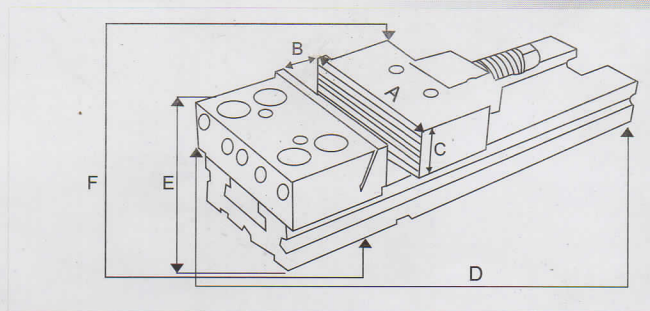


FEATURES

- HIGH ACCURACY 0.01/100 mm
- UNLIMITED CLAMPING RANGE
- HIGH QUALITY ALLOY STEEL
- HARDENED & GROUND
- CAN BE USED MULTIPLE STYLE
- NO LENGTH HEIGHT LIMITATIONS
- NO JAW LIFT
- LOW PROFILE
- ALL VICES ARE MATCHED
- SUPPLIED WITH STOPPER FOR FAST PRODUCTION

SPECIFICATIONS

	SIZE IN INCHES	
	6	
A	Width of jaws in mm	150
B	Opening of jaws in mm	200
C	Depth of jaws in mm	50
D	Length overall in mm	420
E	Height overall in mm	98
F	Width Overall	150
	Tenon slot Size in mm	16
	Weight (Approx) in kgs	27



UNIQUE PROCESS MAKES THE **UNIQUE** VICES PRECISION AND STURDY